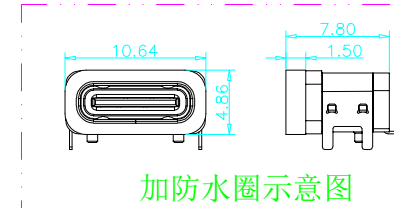
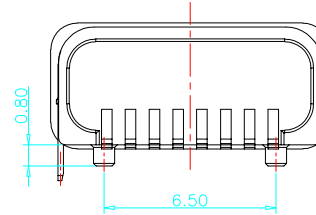
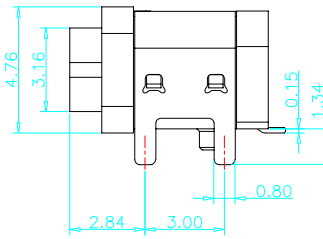
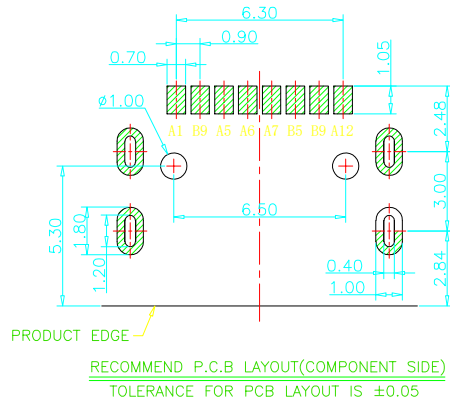
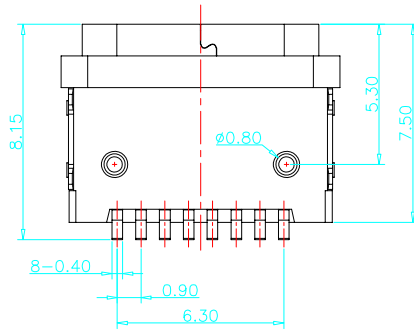
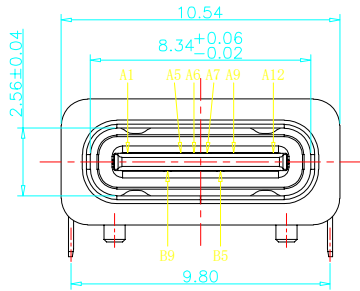
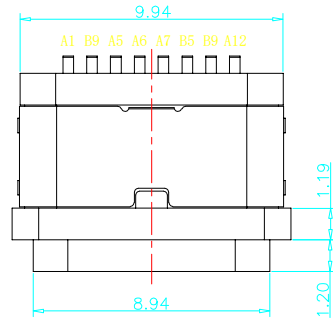
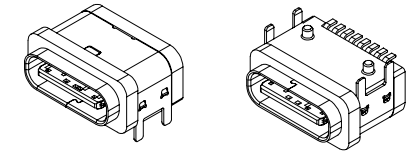


专利产品



- NOTES:
- SPECIFICATION:
- CURRENT RATING: 3.0 A
 - VOLTAGE RATING: 3.0 V
 - VBUS & GND PINS AND OTHER PINS: 40mΩ/PIN MAX
SHIELD: 50mΩ/MAX
LLCR MAX. CHANGE OF ALL PINS: 10Ωm
 - INSULATION RESISTANCE: 100MΩ MIN
 - DIELECTRIC WITHSTAND VOLTAGE, AC 100V FOR 1MINUTE
 - INSERTION FORCE: 0.5~2.0kgf
 - UNMATING FORCE: 0.8~2.0kgf
 - DURABILITY: 10000 CYCLES
 - OPERATING TEMPERATURE: -35°C~+85°C
 - THE PEAK TEMPERATURE ON THE BOARD SHALL BE MAINTAINED FOR 10 SECONDS AT 210-230°C
 - WATERPROOF: IP-X7.



USB TYPE C PIN ASSIGNMENTS

PIN NUMBER	SIGNAL NAME	PIN NUMBER	SIGNAL NAME
A1	GND		
		B9	VBUS
A5	CC1		
A6	D+		
A7	D-		
		B5	CC2
A9	VBUS		
A12	GND		

TABLE:

NO	PART	Q'TY	Material
1	SHELL	1	STAINLESS STEEL, NI PLATED
2	CONTACT	8	COPPER STEEL, TIN/AU/NI PLATED
3	MID PLATE	1	STAINLESS STEEL, NO PLATING
4	1MD HOUSING	1	HIGH TEMPERATURE RESISTANT PLASTIC BLACK UL94 V-0
5	2MD HOUSING	1	HIGH TEMPERATURE RESISTANT PLASTIC BLACK UL94 V-0
6	SHIELDING PLATE	1	STAINLESS STEEL, NI PLATED

东莞市溪榜电子有限公司 DONG GUAN XI BANG ELECTRONICS CO., LTD.	页码 (SHEET)	1/1	单位 (UNIT): MM
	版本 (REV)	A0	比例 (SCALE) 1:1
品名 (ITEM NO)	TYPE C 8P 板上防水母座 L=7.5mm (带钢片) 外壳 4脚插板	日期 (DATE)	2022. 04. 13
料号 (PART NO)		设计 (DESIGN)	Lee
图号 (DWG NO)		审核 (CHECKED)	LSW
		核准 (APPROVED)	CJL
These drawings and specifications are the property of Dongguan Xibang Electronics Co., Ltd. and should not be copied. Without the prior written consent of Dongguan Xibang Electronics Co., Ltd., it shall not be copied or used in any way			